

KEY PLAN
N.T.S.

- LEGEND:**
- LT-1 50W ■ PROPOSED 7.6m STEEL SQUARE POLE, SQ5-25-AB-IDR-PC-BC, MOUNTED ON A 3.0m CONCRETE BASE, AND 50W LED ARIETA SERIES LUMINAIRE (WITH BACK LIGHT SHIELD OPTION) BY LEOTEK, CAT. NO. AR13-48N-MV-NW-3-XX-080-BLS S AND AR13-48N-MV-NW-3-XX-080-BLS S IES
 - 3.4 ■ PHOTOMETRIC CALCULATION NODE

- NOTES:**
1. A LIGHT LOSS FACTOR OF 0.90 HAS BEEN USED IN ALL CALCULATIONS.
 2. A MOUNTING HEIGHT OF 6.7m HAS BEEN USED IN ALL CALCULATIONS.
 3. AN ARM LENGTH OF 0.3m HAS BEEN USED IN ALL CALCULATIONS.
 4. ALL VALUES ARE SHOWN IN LUX.
 5. CALCULATIONS HAVE BEEN MADE USING TAC GUIDELINES AND IESNA RECOMMENDED PRACTICES.

REVISIONS

No.	DESCRIPTION	DATE	BY	APPROVED
1.	ISSUED FOR FIRST SUBMISSION	AUG 25/22	M.R.	

80 MICRO COURT, UNIT 105,
MARKHAM, ONTARIO L3R 9Z5
TEL: (905) 237-6091
FAX: (905) 237-5019

MUNICIPALITY OF CLARINGTON
40 TEMPERANCE STREET,
BOWMANVILLE, ONTARIO, L1C 3A6
TEL: (905) 623-3379

MARLIN SPRING
2 ST. CLAIR AVENUE WEST
TORONTO, ONTARIO, M4V 1L5
TEL: (416) 619-3550

SALES OFFICE
NASH RD & HANCOCK RD
COURTICE, ON

LICENSÉE PROFESSIONNELLE
M.G. YOUSSEF RIZKALLA
100220311
AUG 25/2022
PROVINCE OF ONTARIO

PHOTOMETRIC PLAN

DATE: AUGUST 2022

DESIGNED BY: M.R.

CHECKED BY: J.N.

SCALE: 1:200

DRAWN BY: J.Y.

CHECKED BY: D.A.

ACCEPTED AS TO FORM IN RELIANCE UPON THE PROFESSIONAL SKILL AND ABILITY OF MQ ENERGY INC. AS TO DESIGN AND SPECIFICATION.

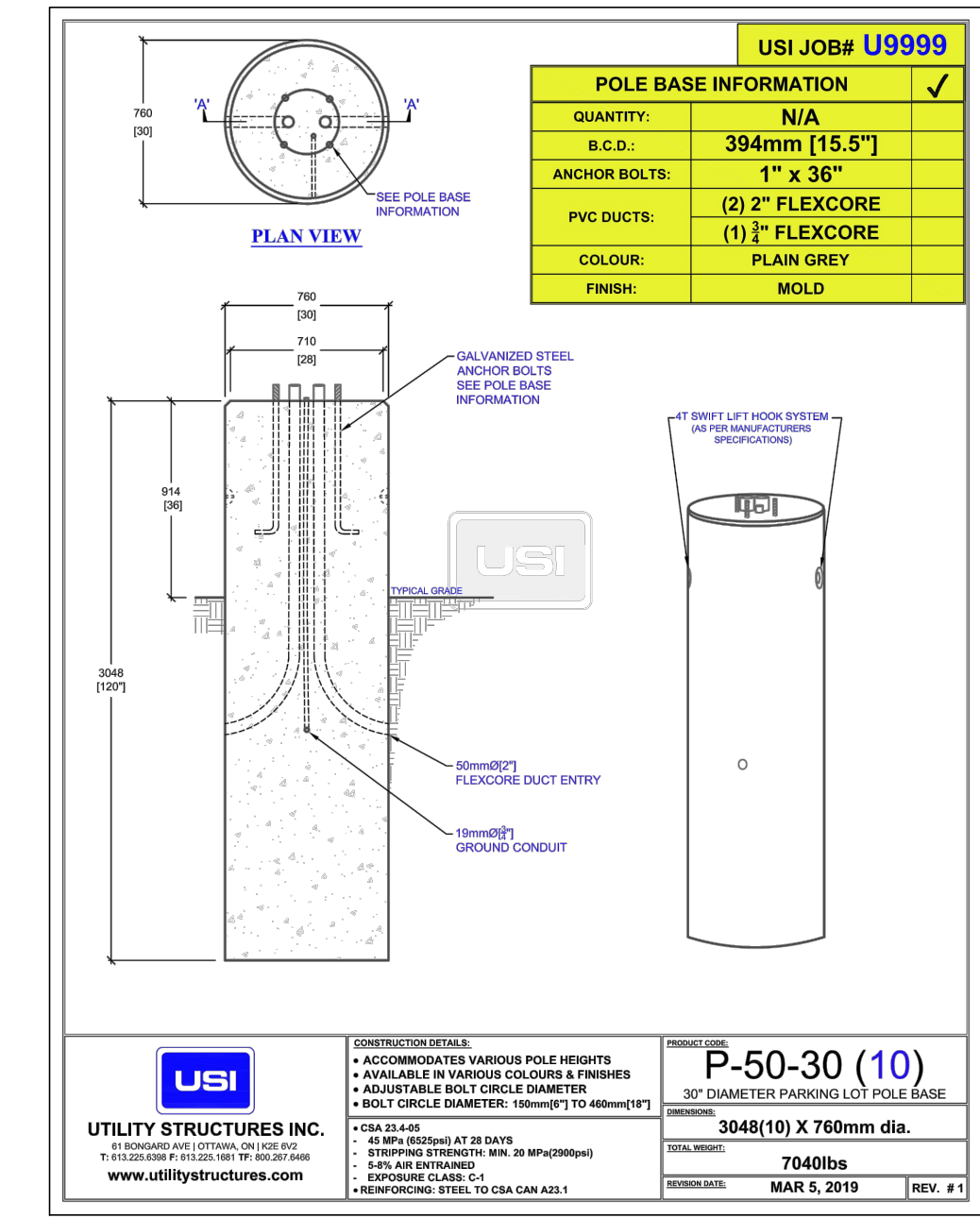
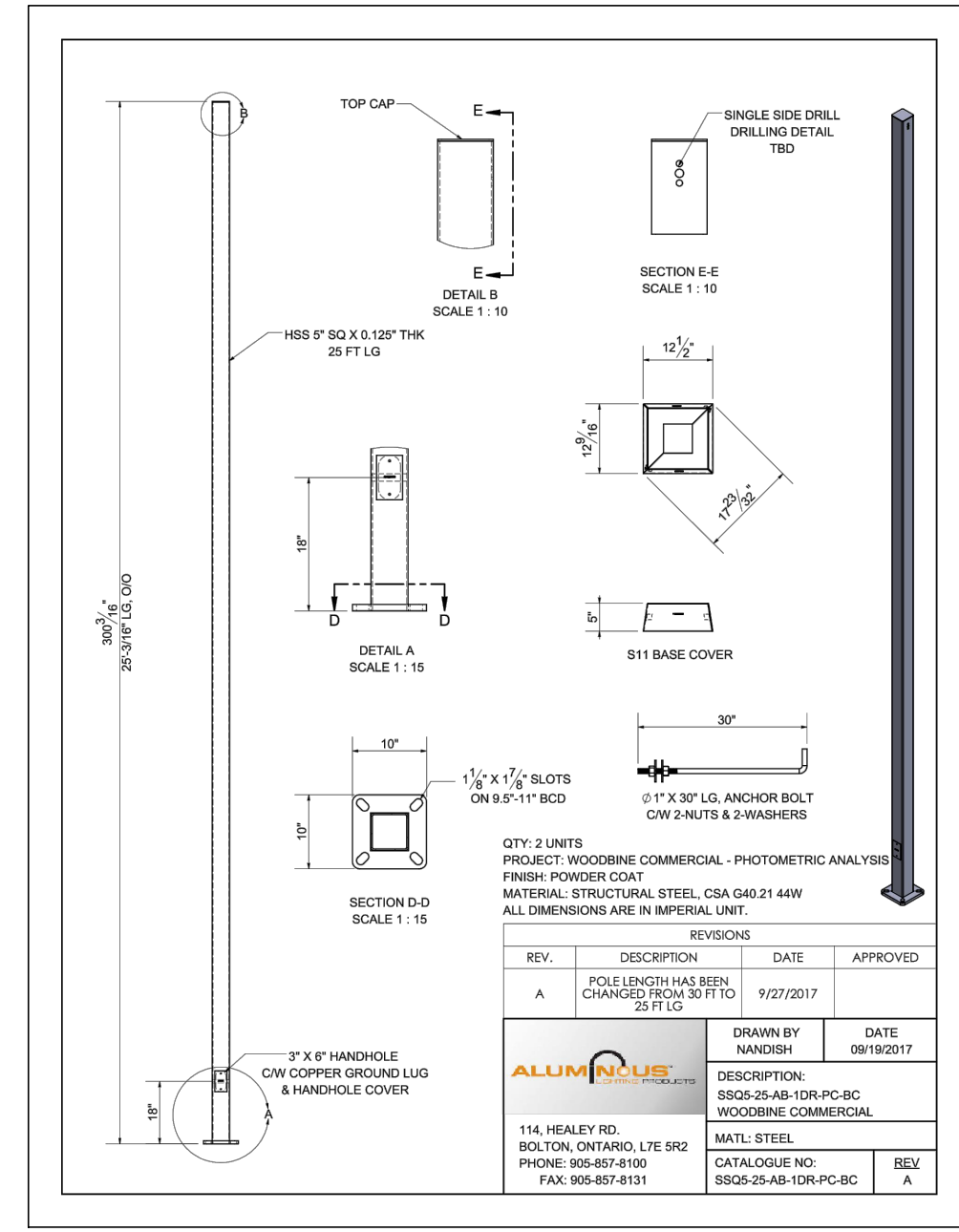
PROJECT No:

22-6228

DRAWING No:

SL-01

Manager of Development Engineering Date



LEOTEK

ARIETA™ 13 Architectural LED Area Luminaire
AR13 N-Series Specification Data Sheet

Luminaire Data
Weight: 15.4 lbs (7 kg)
SPL: 0.4 Lf/m²

Product	LED Code	Voltage	Nominal Color Temperature	Distribution	Finish	Output Code	Options
AR13	AR	MV	3000K	2 Type 1 2 Type 2 2 Type 3 2 Type 4	BL Black BR Bronze PW White GR Grey NA Natural Aluminum	WW-3000 BB RR FF GG LL MM NN OO PP QQ RR SS TT UU VV XX YY ZZ	Back Light Shield (factory standard) Fixed Output Code RdM Photocolor Recastable RSC-Flame Retardant RSC-Flame Photocolor Control Body 7-ways Photocolor Photocastable Modular Service with 2 Lenses MS-LED 20kV/2MA Surge Protection 20kV/100MA Surge Protection Fast-High Dimming RdM Photocolor Color Related Flight Color Related Flight Utility Wettable Label

Ordering Information
Sample Catalog No. AR13 68N MV NW 3-XX 080 BLS 3

1. Black, Dark Bronze, White, Grey, or Natural Aluminum standard. Consult factory for other finishes.
2. Specified output code set at the factory and includes fixture mounted support unless otherwise specified.
3. Flame resistant enhanced back light shield, factory installed.
4. No field adjustable output. Specified output code set at the factory.
5. Includes recessed selector for enables field adjustability of light levels. Field changeable connections included to enable dimming connection to PCS7 luminaire node (dimming is disabled by default).
6. Control node used as factory for wireless node dimming. Other options not included by default.
7. See 12" or 18" max coverage details on page 4. Consult factory for MS specified with AR13. Name Photocolor Photocastable. MS option is included by default unless otherwise specified.
8. For MS and other options see page 5. Only available with MV (120/277V).

9. Specify Color (20, 25, 30, 35, 40, 45, 50, 55, 60, 65, 70, 75, 80, 85, 90, 95, 100).
10. Specify MV (120/277V) or MW (240V/480V).

© 2019 Leotek Electronics USA LLC
AR13_N-Series_Spec_Sheet_03.10.19. Specifications subject to change without notice.

Page 1

Calculation Summary

Label	CalcType	Units	Avg	Max	Min	Avg/Min	Max/Min
Asphalt Pavement	Illuminance	Lux	13.13	N.A.	N.A.	5.71	N.A.
Parking 1-4	Illuminance	Lux	8.60	N.A.	N.A.	N.A.	N.A.
Parking 5-6	Illuminance	Lux	0.73	N.A.	N.A.	N.A.	N.A.
Parking 7-12	Illuminance	Lux	18.78	N.A.	N.A.	N.A.	N.A.
Spill Lights	Illuminance	Lux	0.14	N.A.	N.A.	N.A.	N.A.

Luminaire Schedule	Symbol	Qty	Label	Arrangement	Description	Tag	LLF	Luminaire Lumens	Luminaire Watts	Total Watts
	■	3	AR13-48N-MV-NW-3-XX-080-BLS S	Single	AR13-48N-MV-NW-3-XX-080-BLS	50W	0.900	4556	52	156